

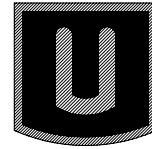
TF/PF & TG/PG—Trash/Planter

model no:

PF7532P, PG7533P, TF3C32I,
TF3C32P, TF3C32S, TF3D32I,
TF3D32P, TF3D32S, TF3F32I,
TF3F32P, TF3F32S, TG3C33I,
TG3C33P, TG3C33S, TG3D33I, TG3D33P,
TG3D33S, TG3F33I, TG3F33P, TG3F33S

urbanscape®

INSTRUMENTS TO SHAPE PUBLIC SPACE



©

INGROUND, PORTABLE & SURFACE RECEPTACLES & PLANTERS — FAUX WOOD & SLAT

customer service:

ASSEMBLERS: If you find any parts missing or damaged, or if you're having difficulty assembling your furniture/equipment, call us at:

* Before calling, have your product model number available.

1-866-903-3714 (Inside U.S.A.)

260-352-0177 (Outside U.S.A.)

Monday thru Friday,
8:00 AM - 4:30 PM Eastern Time
(EXCEPT HOLIDAYS)

Any correspondence concerning our product should be sent directly to our Customer Service Manager at:

URBANSCAPE
a division of Wabash Valley Mfg., Inc.
505 E. Main Street
P.O.Box 5
Silver Lake, IN 46982 U.S.A.
FAX: 260-352-2160
or email: aburkhart@urbanscapefurniture.com

maintenance:

Regular inspection and maintenance of all parts, and fasteners is necessary. Tighten all bolts and nuts. Inspect Tops, Seats, Legs, Braces and Fasteners periodically for wear or vandalism. Replace broken or worn parts immediately or take equipment out of service until repairs are made. Use genuine Urbanscape replacement parts.

KEEP THIS ASSEMBLY/SPECIFICATION SHEET FOR FUTURE REFERENCE.

specifications:

NOTE: We reserve the right to change specifications without notice.

Framework assemblies are finished with powder coating; electrostatically applied and oven cured according to powder manufacturer's specifications. Fasteners are stainless steel to resist corrosion.

RECEPTACLE LEGS:

Legs are constructed of 12 gage x 2 3/8" diameter galvanized steel tubing. Mounting plate consists of 10 gage sheet steel and gusset supports are 14 gage sheet steel. Base plate on surface mount leg is 1/4" plate steel.

RECEPTACLES/PLANTERS:

All tops, bottom, rings and domes are cast aluminum. Sides are aluminum tubing.

GENERAL DIMENSIONS:

Portable ground space requirements for trash receptacles with flat tops are 24 3/4" diameter x 34 5/8" tall. Surface mount and inground ground space requirements for trash receptacles with flat tops are 24 3/4" diameter x 41 3/8" tall. Portable ground space requirements for trash receptacles with domes are 24 3/4" diameter x 39 1/4" tall. Surface mount and inground ground space requirements for trash receptacles with domes are 24 3/4" diameter x 46" tall. Portable ground space requirements for trash receptacles with domes with ash trays are 24 3/4" diameter x 38 3/4" tall. Surface mount and inground ground space requirements for trash receptacles with domes with ash trays are 24 3/4" diameter x 45 1/2" tall. Planters are 24 3/4" diameter x 18 3/8" tall.

NOTE: Minor scratches to the faux-wood furniture can be touched up using Wood Finish Touch-Up markers or pens. Some recommended touch-up markers are the MINWAX WOOD FINISH STAIN MARKERS. The cherry marker works well with the wheat faux-wood, the Provincial marker closely matches the weathered and italia, and the Dark Walnut marker matches the espresso faux-wood. The touch-up markers can be obtained at a local hardware store or may also be obtained through Urbanscape by contacting customer service.

Finished to Look Like Wood, but Act Like Metal

Our faux-wood finishes so closely resemble the real thing that it's hard to believe it's metal and not wood. The timeless beauty and tradition of wood without any of the headaches, such as cracking, warping or rotting. For superior strength and rigidity, we add reinforcements to the aluminum extrusions for all of our faux-wood-finished products.



AAMA 2604-05 Certification

Our seven-step powder-coat system exceeds AAMA 2604-05 (American Architectural Manufacturers Association) test specifications—one of the highest in the industry. Our coating stood up to some of the toughest test specifications, including adhesion, abrasion resistance, chemical resistance, corrosion resistance and fade resistance, to ensure that our products will last longer than anyone else's.

AAMA 2604-05 test Procedures and Performance Requirements

Test Requirements	Compliance
Salt-Spray Resistance: 3,000 hours per ASTM B 117	Yes
Weathering: Color Retention, 5-year south Florida sun, per ASTM D 2244 with a maximum 5deltaE change	Yes
Weathering: Chalk resistance, 5-year south Florida sun, per ASTM D 4214 with a max rating of 8	Yes
Weathering: Gloss Retention, 5-year south Florida sun, per ASTM D 523 with a min of 30%	Yes
Weathering: Resistance to Erosion, 5-year south Florida sun, with less than 10% film loss	Yes
Chemical Resistance: Muriatic Acid, Mortar, Nitric Acid, Detergent and Window Cleaner	Yes
Dry Film Hardness per ASTM D 3363 with no rupture	Yes
Adhesion: Dry Adhesion, Wet Adhesion and Boiling Water Adhesion using the cross hatch method with 0% failure	Yes

Seven Steps to Long-Lasting Furniture: Our Superior Powder-Coating Process

What's responsible for the good looks and durability of all our products? Our seven-step powder-coating process, which is unlike any other in the industry. While other companies also offer powder-coated products, our seven-step process ensures the highest quality and longevity for our products.

STEP 1—Shot-Blasting to White Metal

First, all of our metal is cleaned to white metal. We strip it to its purest form using our state-of-the-art shot-blast system. This process removes all the impurities from the metal, especially at the weld joints. It's more effective than traditional acid cleaning and also creates a more textured surface, allowing for better adhesion of the powder coat.

STEP 2—Five-Stage Chemical Pre-Treatment

Next, the metal goes through a five-stage chemical pre-treatment cleaning process. It is etched, rinsed and cleaned to eliminate any residue, then it's sealed—further promoting adhesion and encouraging corrosion prevention.

STEP 3—Pre-Heating

Prior to coating, the part is pre-heated so that it can be dried, warmed and then sent directly to the spray booth. With the part heated, it draws powder into the joints, corners and hard-to-reach places to ensure complete coating of the entire surface.

STEP 4—Zinc-Rich Epoxy Coating

After the pre-heating, a Zinc-Rich epoxy powder-coating is applied to provide the highest quality of corrosion control. It works as a prime coat to protect the metal from corrosion before it receives its topcoat.

STEP 5—Zinc-Rich Epoxy Coating Gel-Cure

Next, the Zinc-Rich epoxy coating is cured to a gel, allowing the polyester topcoat to combine with the Zinc-Rich epoxy, promoting better adhesion.

STEP 6—AAMA 2604-Compliant Polyester Topcoat

A polyester topcoat is then applied that's specially formulated to meet AAMA 2604 standards for fading, cracking, chalking, gloss retention, erosion resistance and chemical resistance. No one else in the industry uses this high standard of topcoat. It ensures that our products will maintain their beauty and durability for years to come.

STEP 7—Final Cure

Finally, the metal goes through a cure oven, which hardens the topcoat and completes the integrated bonding between the Zinc-Rich epoxy and AAMA 2604-Compliant Polyester Topcoat.

assembly procedures: IMPORTANT: Assemblers should be reasonably skilled in the assembly of commercial grade/heavy duty fabricated steel equipment.

To ensure proper assembly, it is suggested that you take adequate time to locate and identify each part. To prevent scratching of the finished pieces, we recommend this unit to be assembled on a clean, flat, solid, surface with a drop cloth, allowing plenty of working room. **Also please read the instructions and study the sketches very carefully.** A little extra time spent before assembly will be well worth it in performing a complete, proper assembly. Please note that all parts have been pre-cut and pre-drilled.

During the assembly process leave all bolts and nuts "finger tight", until the entire unit is completely assembled. This allows room for movement to level or adjust all seats, tops, benches, framework and braces if necessary. **After final adjustment and leveling, permanently tighten all nuts, bolts and fasteners.**

76

FLAT TOP INSTALLATION:

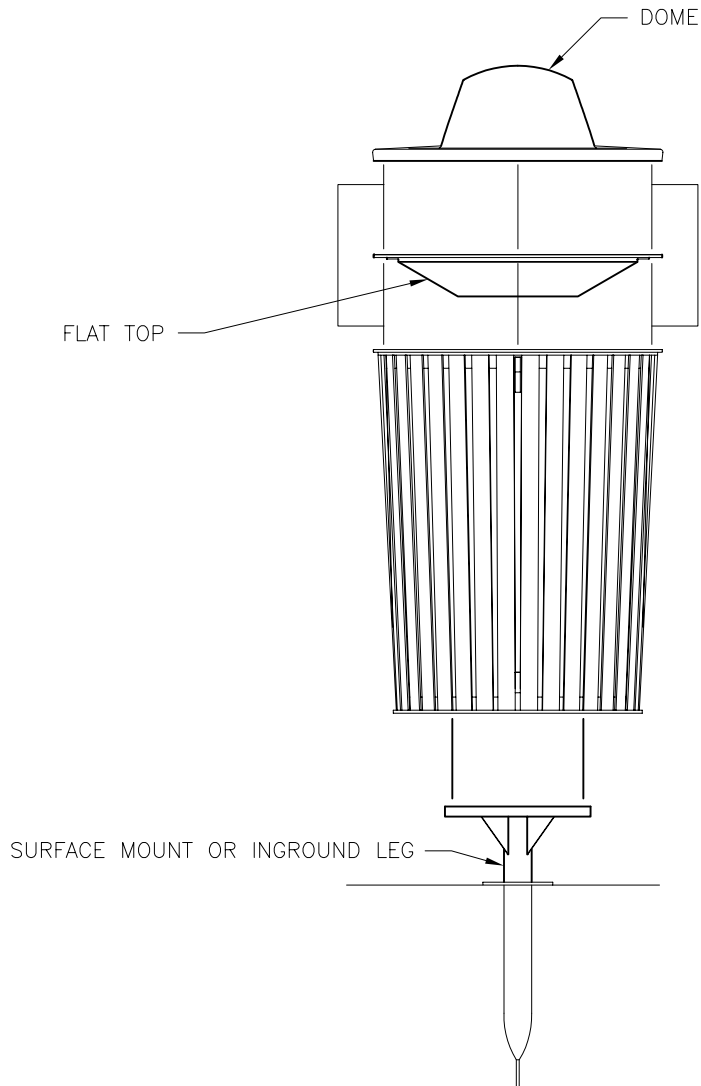
Attach flat top to receptacle using one 1/4" X 1" hex head screw (17116), two 1/4" flat washer (17007) and one 1/4" hex nut (17017) per each bolt hole.

DOME TOP INSTALLATION:

Attach dome to receptacle using one 1/4" X 1" hex head screw (17116), one 1/4" flat washer (17007) per each bolt hole.

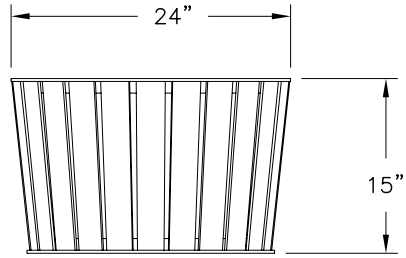
LEG INSTALLATION:

Attach surface mount/inground leg to receptacle using one 5/16" X 1 1/2" hex head bolt (17011), one 3/8" flat washer (17028), one 5/16" lock washer (17069) and one 5/16" hex nut (17032) per each bolt hole.

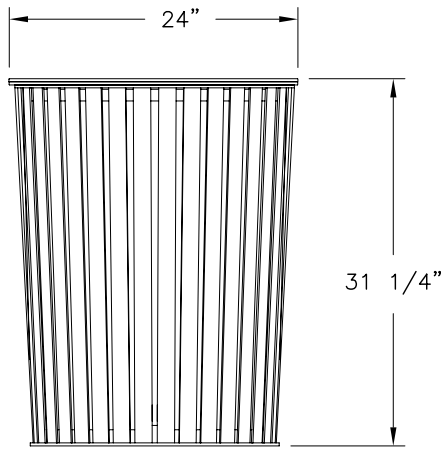


installation: WARNING: The proper installation for Urbanscape products may depend upon many factors unique to the site, location, or use of a particular product. Consult with your contractor or other professional to determine your specific installation requirements.

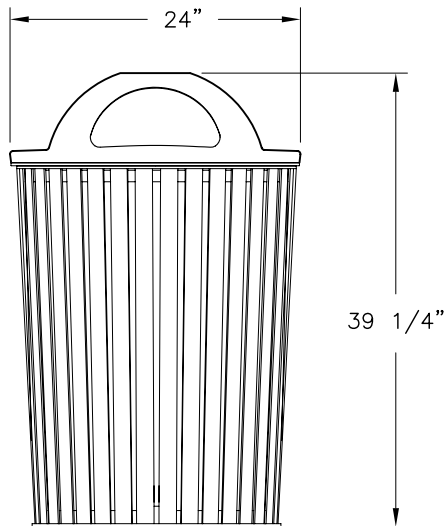
product dimensions:



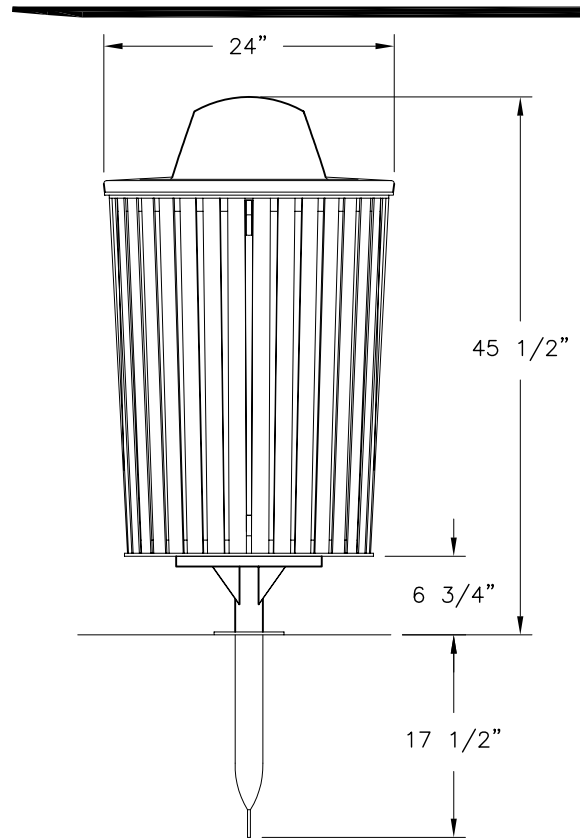
PF7532P/PG7533P



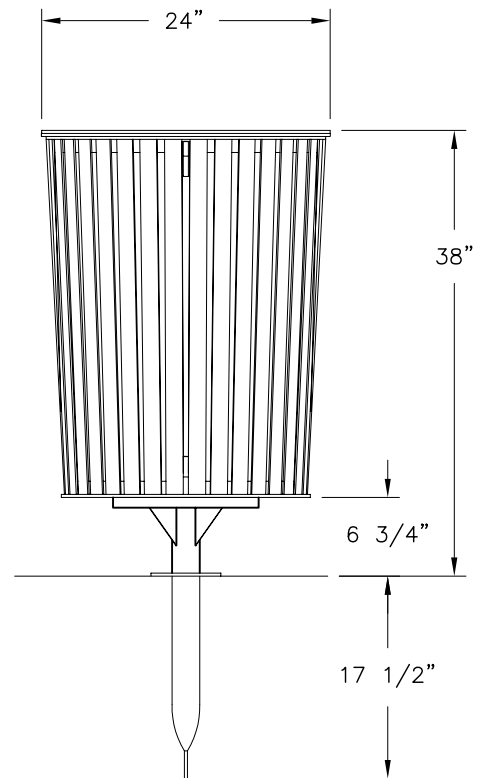
TF3F32P/TG3F33P



TF3C32P/TF3D32P
TG3C33P/TG3D33P



TF3C32I/TF3C32S/TF3D32I/TF3D32S
TG3C33I/TG3C33S/TG3D33I/TG3D33S



TF3F32I/TF3F32S/TG3F33I/TG3F33S